

Current refinements (click to remove)

[Search Tips](#) 
 Region **USA** Product Family **Code Conductor, One-Hole, Standard Barrel with Window Lug** Text Search: 'LCA1/0-56-X'

Your search criteria matched only one product, shown below.
Related Products

- [Contour Crimp™ Control...](#)
- [Die Type, Manual, Crimping Tool](#)
- [CD-720 Crimping Dies](#)
- [Die Type, Manual Hydraulic, 14 Ton,...](#)
- [Die Type, Remote Hydraulic, 14 Ton,...](#)
- [Die Type, Battery Powered Hydraulic...](#)
- [More...](#)

For Use with Stranded Copper Conductors

- Color-coded barrels marked with *PANDUIT* and specified competitor die index numbers for proper crimp die selection
- Inspection window to visually assure full conductor insertion
- Tin-plated to inhibit corrosion
- UL Listed and CSA Certified to 35 KV** and temperature rated to 90°C when crimped with *PANDUIT* and specified competitor crimping tools and dies
- UL Listed and CSA Certified for wide wire range-taking capability when crimped with *PANDUIT*® *Uni-Die*™ Dieless Crimping Tools†
- **Tested by Telcordia – meets NEBS Level 3**
- American Bureau of Shipping Approved



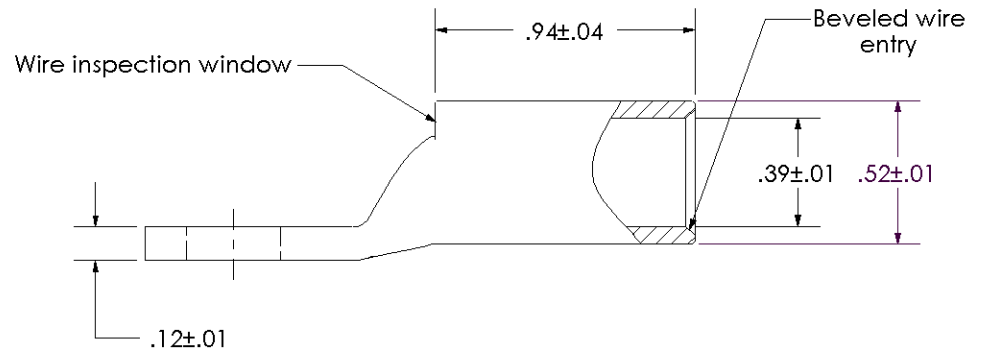
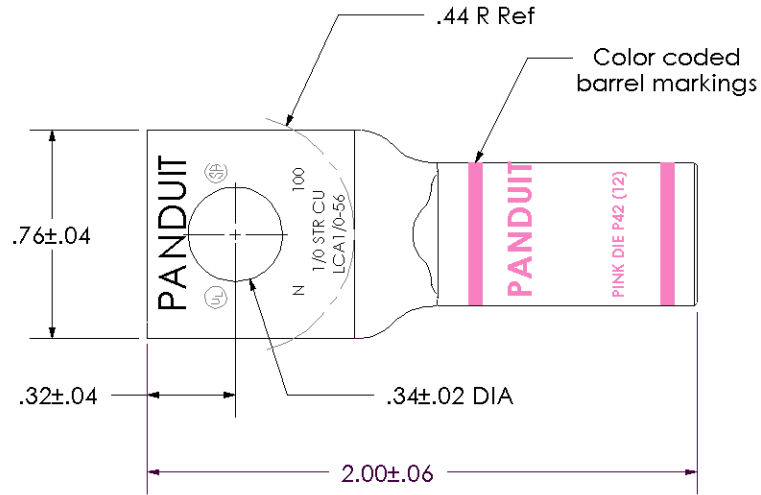
Part Number:	LCA1/0-56-X
RoHS Compliancy Status:	Compliant
Part Description:	One-hole, standard barrel with window lug, 1/0 AWG wire, 5/16" stud hole.
Product Type:	Compression Connectors - Lugs
CSA Certified:	Yes
UL Listed:	Yes
Length (In.):	2.00
Length (mm):	50.8
Copper Conductor Size:	1/0 AWG
Stud Hole Size (In.):	5/16
Tongue Width (In.):	.76
Barrel Length (In.):	.94
Angle:	Straight
Clearance:	.44
Figure No.:	1
Panduit Color Code:	Pink
Panduit Die Index No.:	P42
Tongue Thickness:	.12
Tongue Type:	Standard
Tongue Width (mm):	19.3
Wire Range (mm²):	70
Wire Strip Length (In.):	1
Min. Order UOM:	PC
Min. Order Qty.:	1
Burndy Die Index No.:	12
T&B Die Index No.:	42
BOM Qty. (# of Pkgs.)	

THIS COPY IS PROVIDED ON A RESTRICTED BASIS AND IS NOT TO BE USED IN ANY WAY DETRIMENTAL TO THE INTERESTS OF PANDUIT CORP.

Material	High Conductivity Seamless Copper Tube
Plating	Electro-Tin
Wire Size	1/0 AWG
Wire Type	Stranded Copper; Class B: Compact, Compressed or Concentric, Class C: Concentric
Wire Strip Length	1.0 in.
Stud Size	5/16 in.
UL Listed Wire Connector	Yes, for applications up to 35kv. Consult cable manufacturer for voltage stress relief instructions with applications greater than 2000 volts.
UL Temperature Rating	90° C
C.S.A Certified Wire Connector	Yes
Panduit Color Code on Barrel	PINK
Panduit Die Index No. on Barrel	P42
Alternate Industry Die Index No. () on Barrel	(12)



LISTED Wire Connector



00	9/02	SAB	DRL	RELEASED	10318
REV	DATE	BY	CHK	DESCRIPTION	ECN

PANDUIT CORP. TINLEY PARK, ILLINOIS

LCA1/0-56-X
Copper Lug - One-Hole, Standard Barrel

SCALE N/A DRAWING NO / CAD FILE LCA1_0-56-CUST